



**Underwater and
Harsh Environment
Connectors**

Pure Pro Technology Co.,Ltd

About Unir



Unir is a global supplier of underwater technology solutions, focusing on providing and solving underwater technology solutions for customers. We are committed to providing various advanced products and system solutions for marine science and engineering departments, offshore oil and gas operators, ROV companies, diving equipment manufacturers, marine communication equipment manufacturers, military industry, and university laboratories.

Unir mainly relies on domestic and foreign advanced and mature technology, professional R&D team, from underwater connectors, submarine watertight cables, underwater robot buoyancy cables, high-reliability winch systems to the most advanced Underwater Integrated system components, Including underwater robots, underwater cameras and underwater light source equipment, marine scientific measurement and control instruments, etc. All products have undergone rigorous design and testing, with better weather resistance, wear resistance, corrosion resistance and long service life to provide high quality, high efficiency and high reliability in challenging underwater environments System solution.

Circular Series



Application

- 1 Remotely Operated Vehicle (ROV) and Autonomous Underwater Vehicle (AUV) systems
- 2 Underwater video, camera and lighting systems
- 3 Diving equipment and systems
- 4 Sonar systems
- 5 Oil rig, offshore oil and gas, and renewable energy systems applications
- 6 Oceanographic systems and equipment

Customized Solutions

- 1 Customers can specify the specification, material and reserved length of supporting wires and cables
- 2 Customers specified main material of the underwater connector
- 3 Make systematic test plan for different application environment

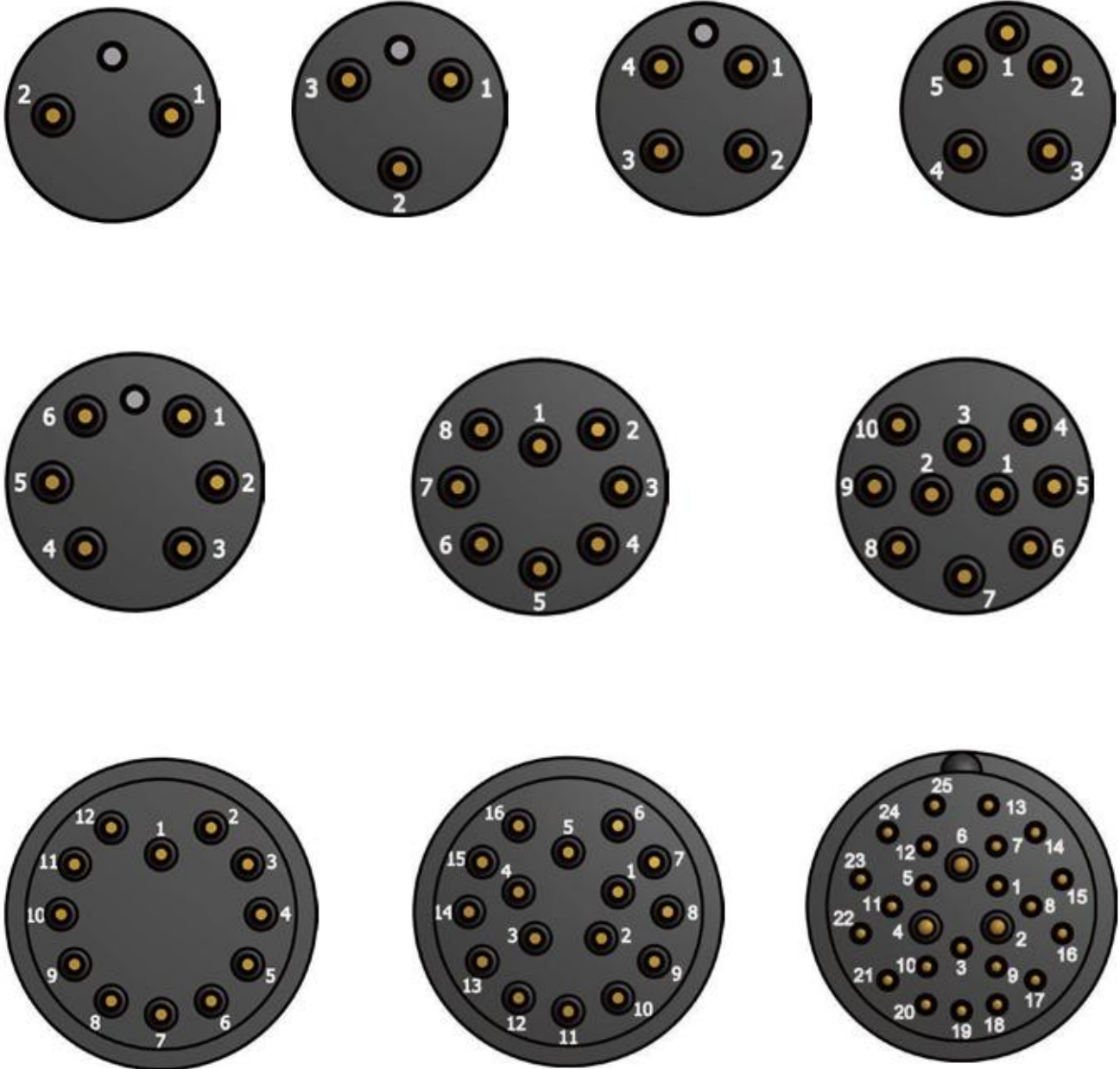
Connector specifications and property

- | | | | |
|-------------------------|------------|----------------------|--------|
| 1 Voltage rating | 600V DC/AC | | |
| 2 Current rating | 10A | | |
| 3 Insulation resistance | >200MΩ | 4 Contact resistance | <0.01Ω |

Connector material specification

- | | |
|------------------|-------------------|
| 1 Connector body | Neoprene |
| 2 Pin | Gold-plated brass |

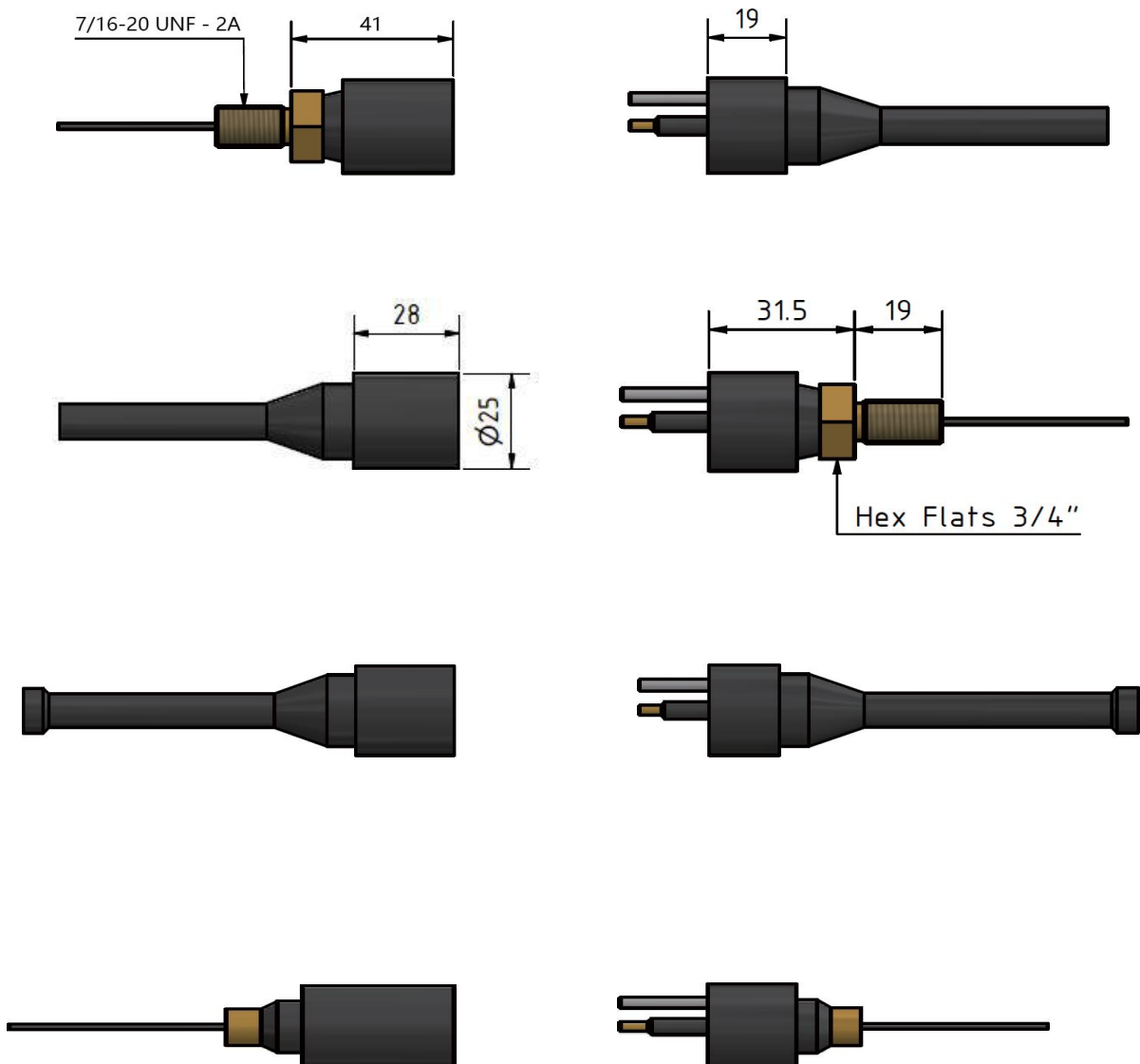
Circular Series



Note: Circular Series has 1 contact, 2 contacts, 3 contacts, 4 contacts, 5 contacts, 6 contacts, 8 contacts, 10 contacts, 12 contacts, 16 contacts and 25 contacts models.

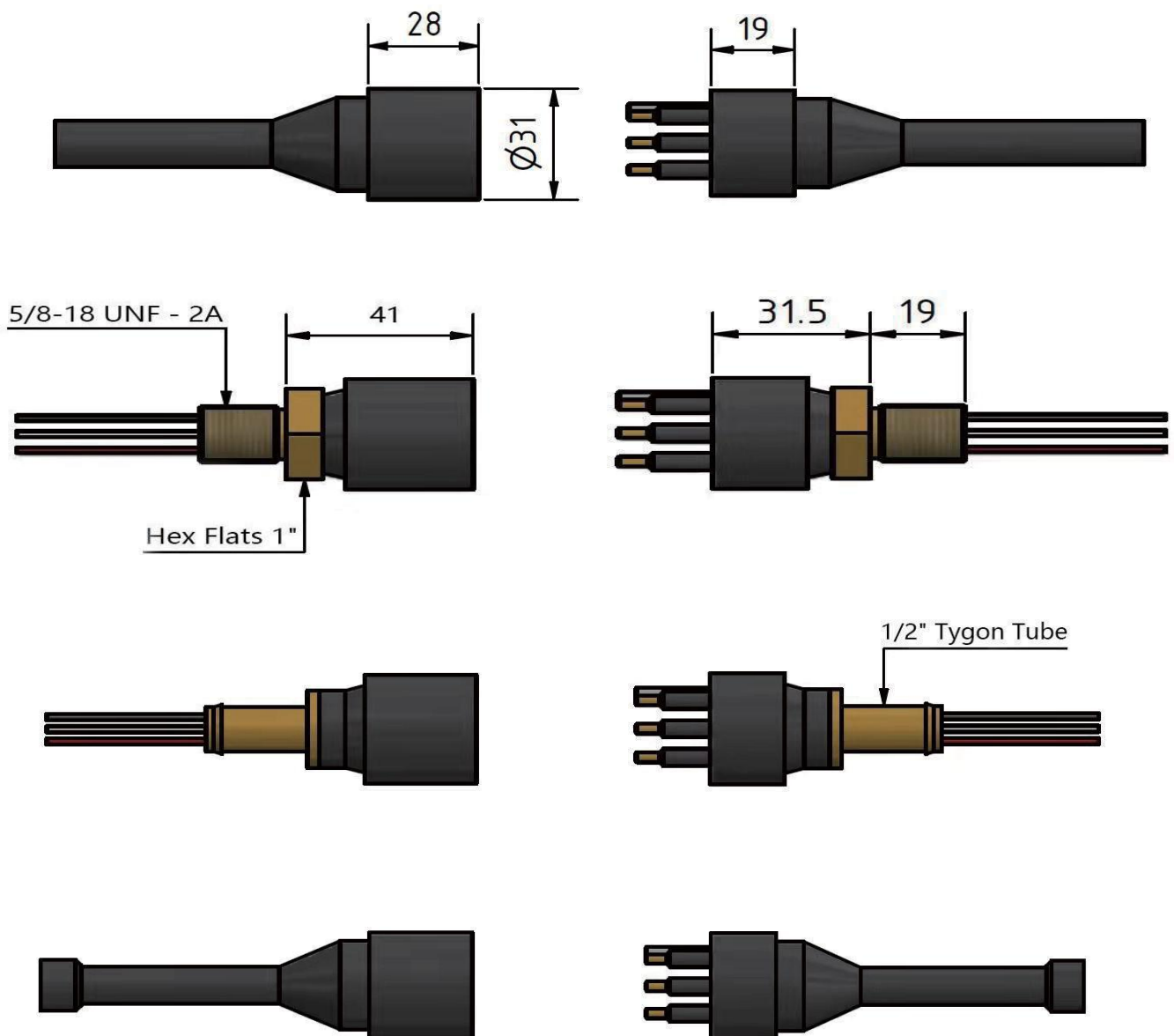
Circular Series

Circular 2,3,4 and 5 contacts



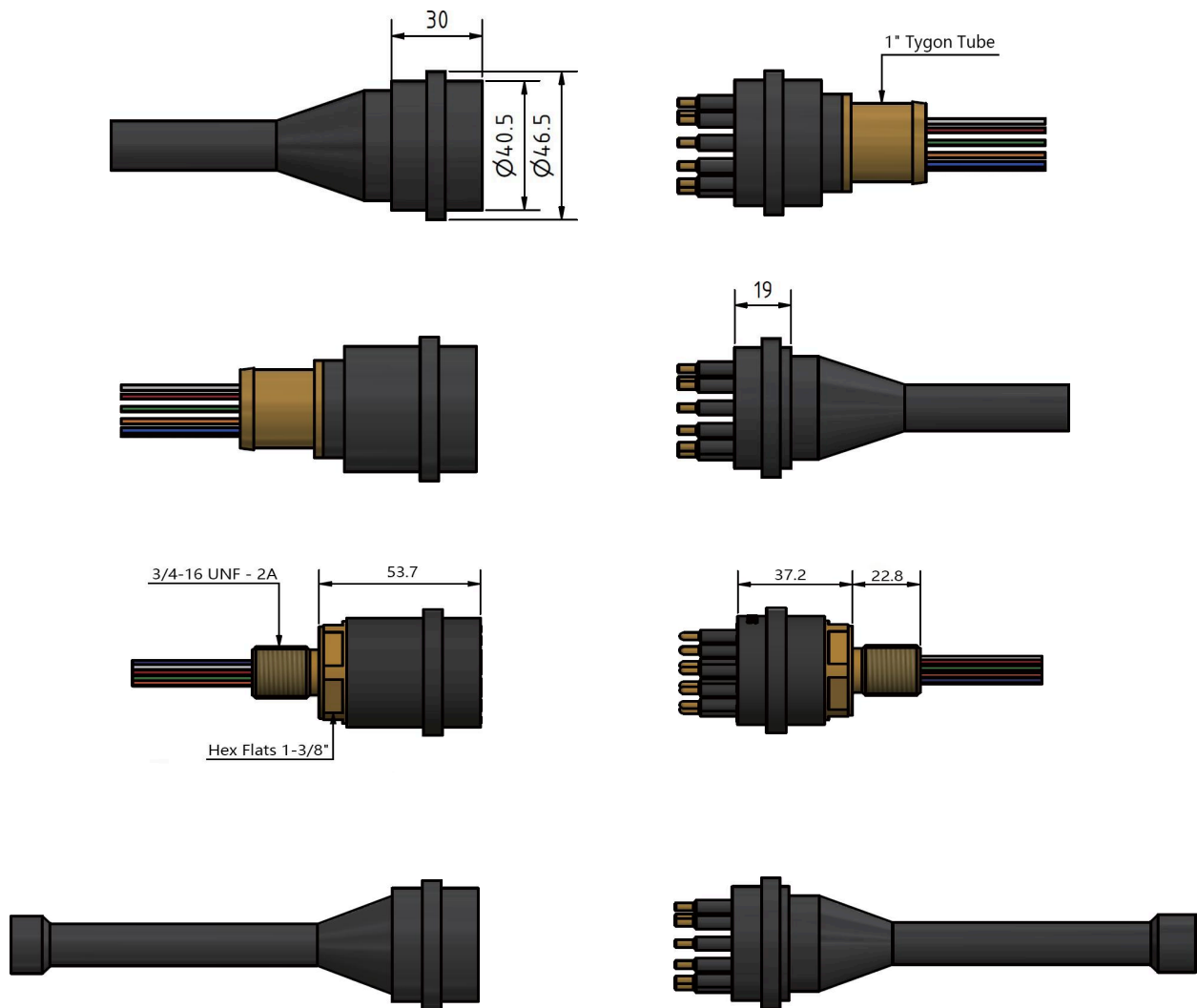
Circular Series

Circular 6, 8 and 10 contacts



Circular Series

Circular 12, 16 and 25 contacts



Micro Circular Series



Application

- 1 Remotely Operated Vehicle (ROV) and Autonomous Underwater Vehicle (AUV) systems
- 2 Underwater video, camera and lighting systems
- 3 Diving equipment and systems
- 4 Sonar systems
- 5 Oil rig, offshore oil and gas, and renewable energy systems applications
- 6 Oceanographic systems and equipment

Customized Solutions

- 1 Customers can specify the specification, material and reserved length of supporting wires and cables
- 2 Customers specified main material of the underwater connector
- 3 Make systematic test plan for different application environment

Connector specifications and property

- | | | | |
|-------------------------|------------|----------------------|--------|
| 1 Voltage rating | 600V DC/AC | | |
| 2 Current rating | 10A | | |
| 3 Insulation resistance | >200MΩ | 4 Contact resistance | <0.01Ω |

Connector material specification

- | | |
|---------------------|--|
| 1 Connector body | Neoprene |
| 2 Connector housing | Navy copper
SUS316L stainless steel
Titanium |
| 3 Pin | Gold-plated brass |

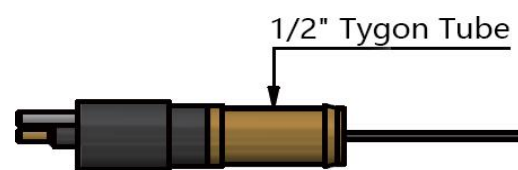
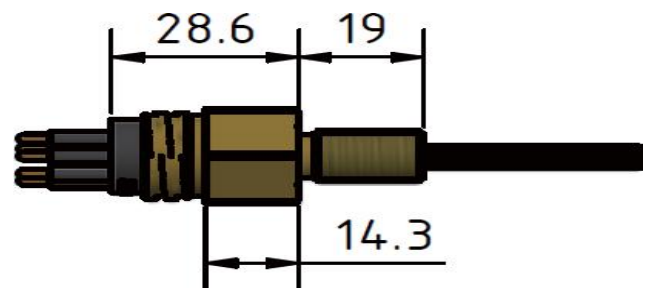
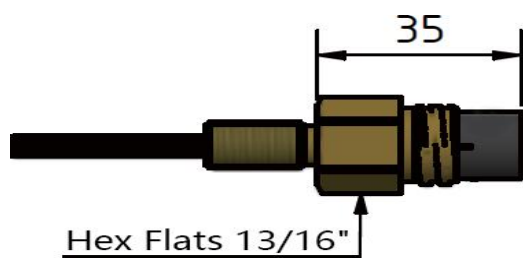
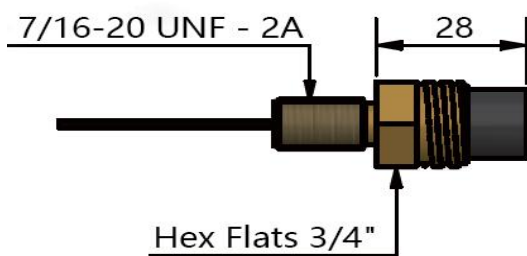
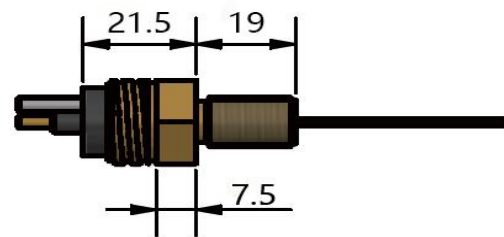
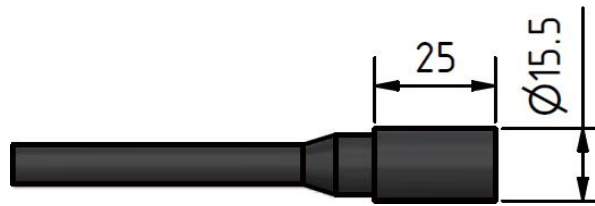
Micro Circular Series



Note: Micro Circular Series has 1 contact, 2 contacts, 3 contacts, 4 contacts, 5 contacts, 6 contacts, 8 contacts, 10 contacts, 12 contacts, 16 contacts and 25 contacts models.

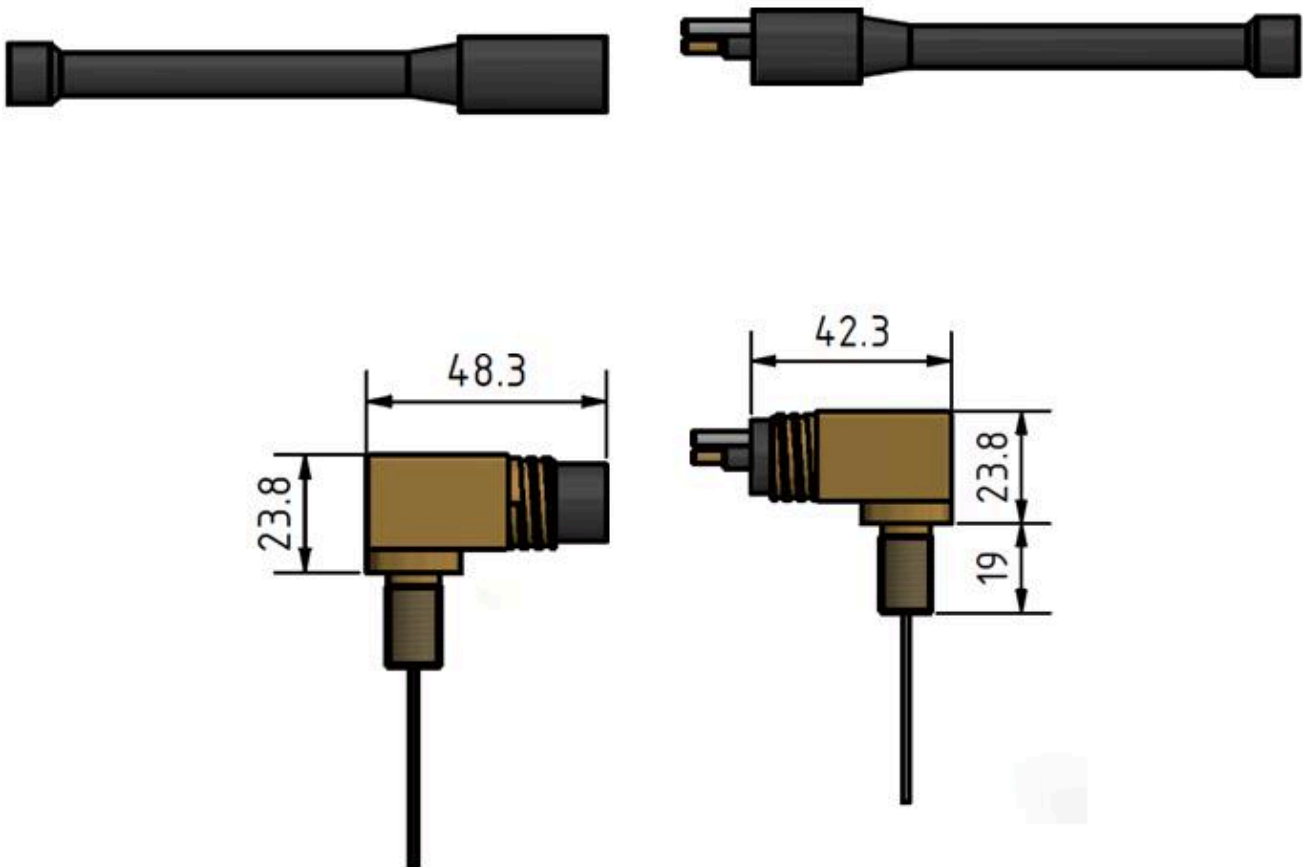
Micro Circular Series

MicroCircular 2,3,4,5,6 and 8 contacts



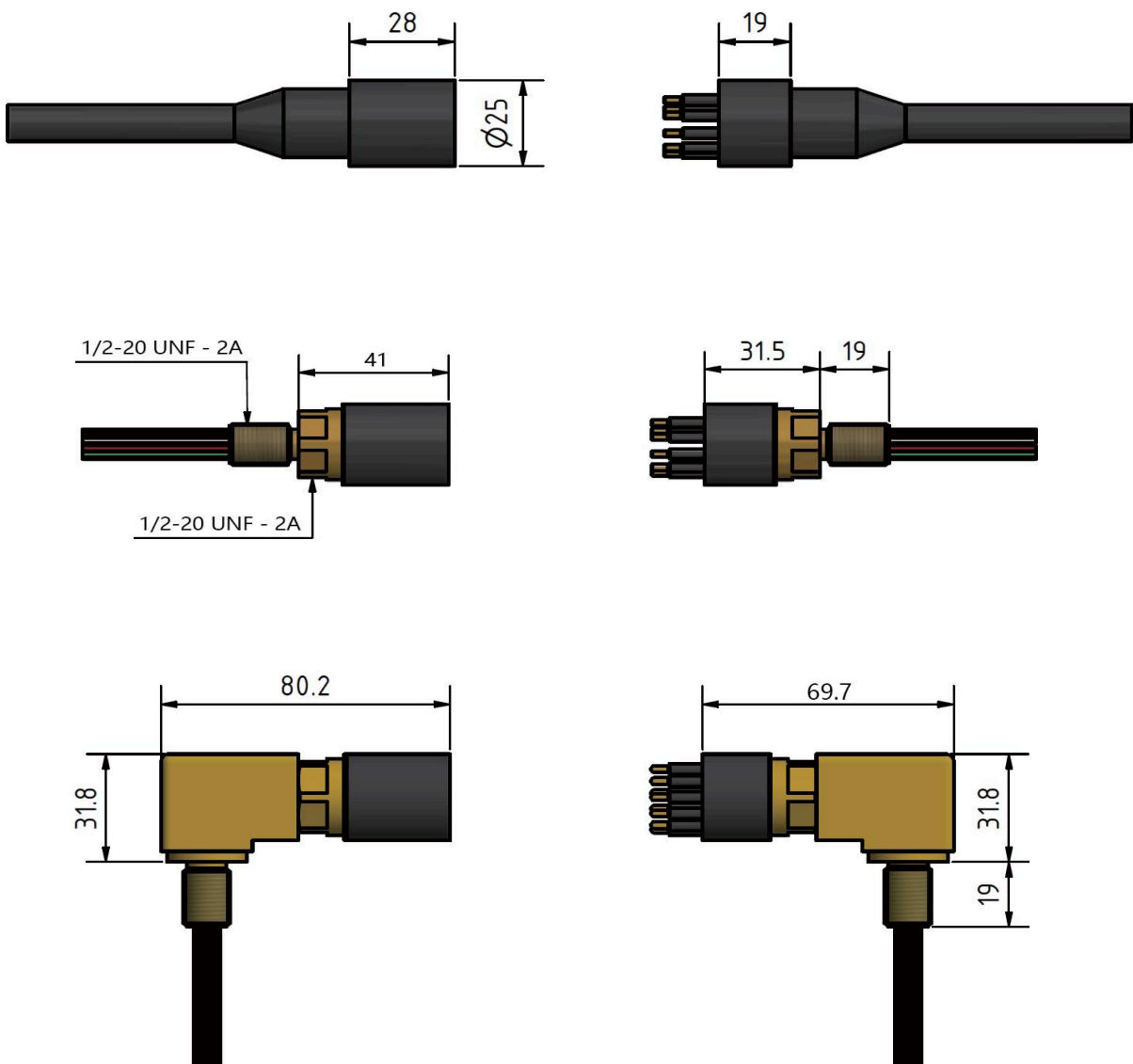
Micro Circular Series

Micro Circular 2, 3, 4, 5, 6 and 8 contacts



Micro Circular Series

Micro Circular 10, 12 and 16 contacts



Micro Circular Series

Micro Circular 10, 12 and 16 contacts



Low Profile Series



Application

- 1 Remotely Operated Vehicle (ROV) and Autonomous Underwater Vehicle (AUV) systems
- 2 Underwater video, camera and lighting systems
- 3 Diving equipment and systems
- 4 Sonar systems
- 5 Oil rig, offshore oil and gas, and renewable energy systems applications
- 6 Oceanographic systems and equipment

Customized Solutions

- 1 Customers can specify the specification, material and reserved length of supporting wires and cables
- 2 Customers specified main material of the underwater connector
- 3 Make systematic test plan for different application environment

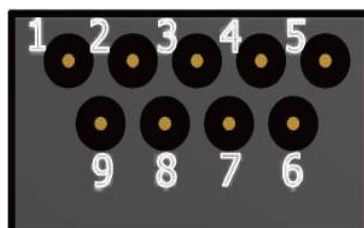
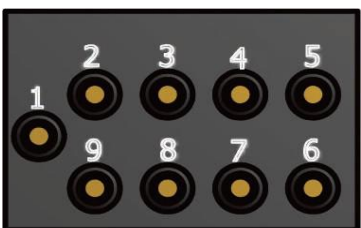
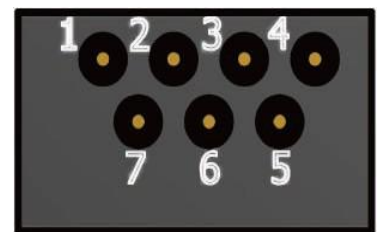
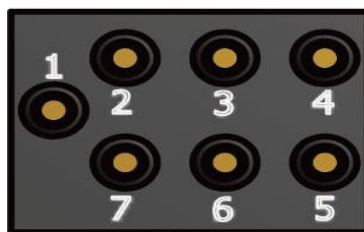
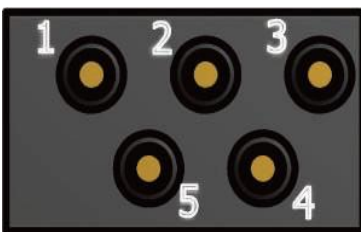
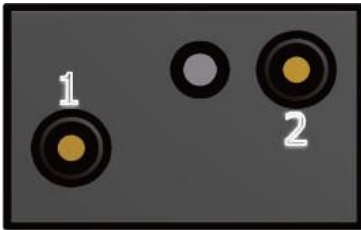
Connector specifications and property

- | | | | |
|-------------------------|------------|----------------------|--------|
| 1 Voltage rating | 600V DC/AC | | |
| 2 Current rating | 10A | | |
| 3 Insulation resistance | >200MΩ | 4 Contact resistance | <0.01Ω |

Connector material specification

- | | |
|------------------|-------------------|
| 1 Connector body | Neoprene |
| 2 Pin | Gold-plated brass |

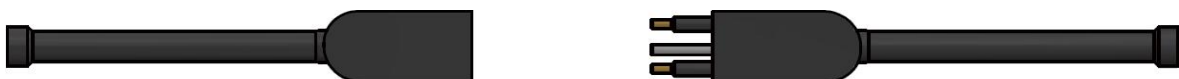
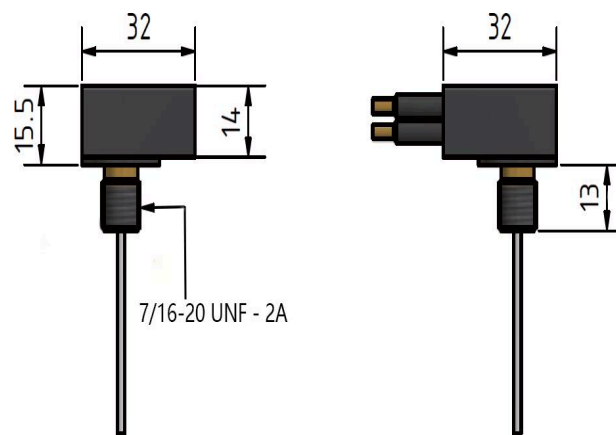
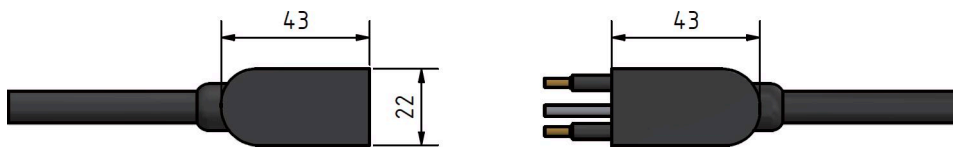
Low Profile Series



Note: Low Profile Series has 2 contacts, 3 contacts, 4 contacts, 5 contacts, 7 contacts, 9 contacts models.

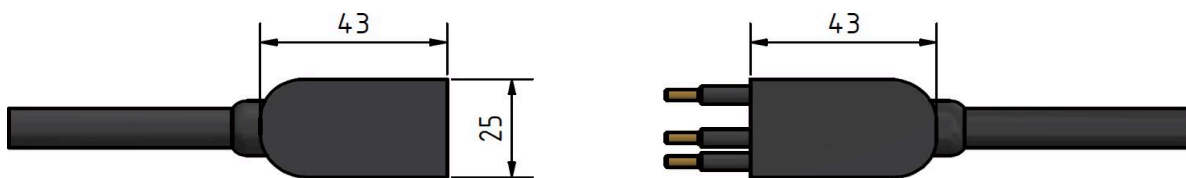
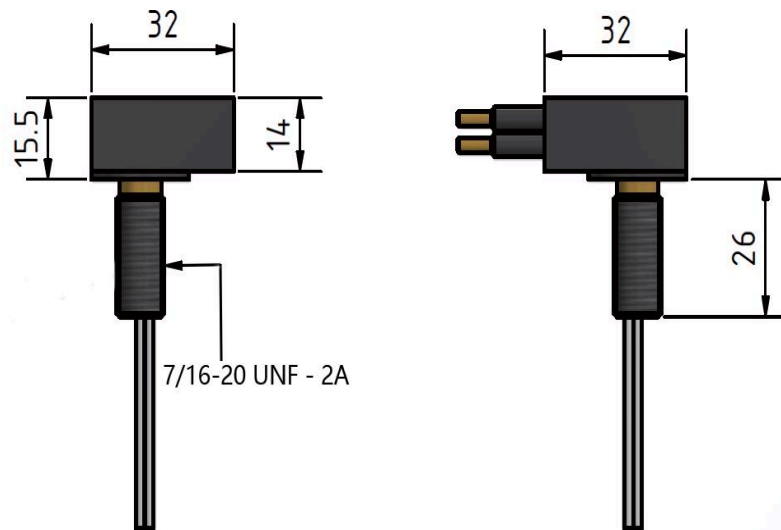
Low Profile Series

Low Profile 2 contacts



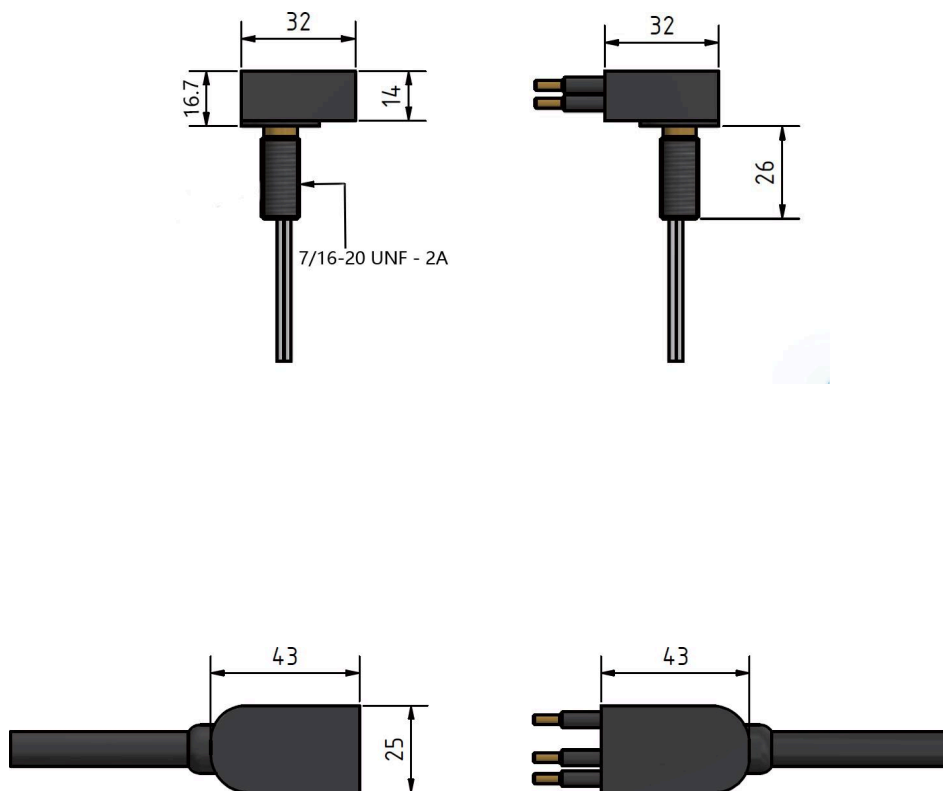
Low Profile Series

Low Profile 3, 4 contacts



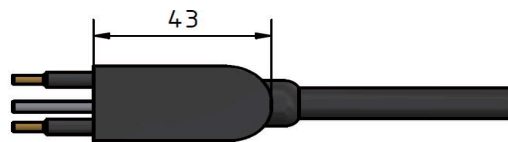
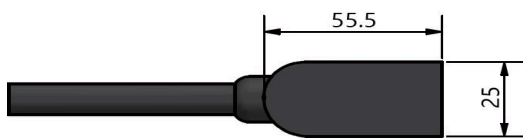
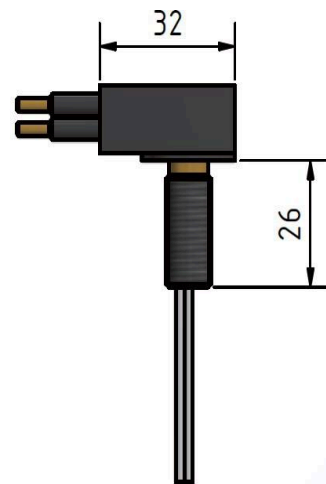
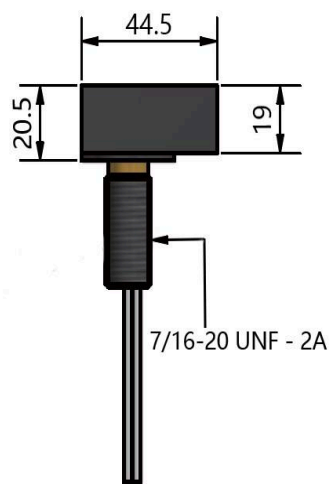
Low Profile Series

Low Profile 5contacts



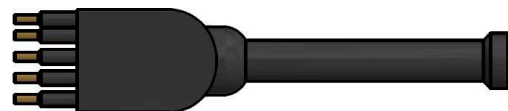
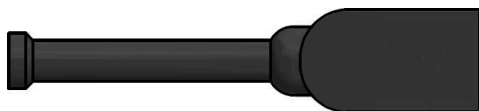
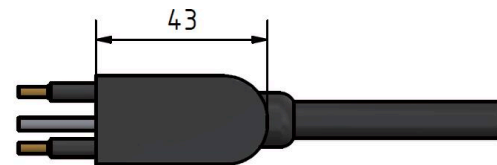
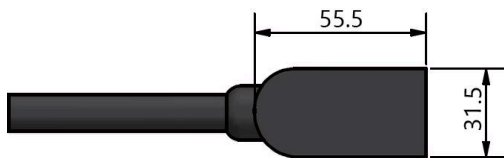
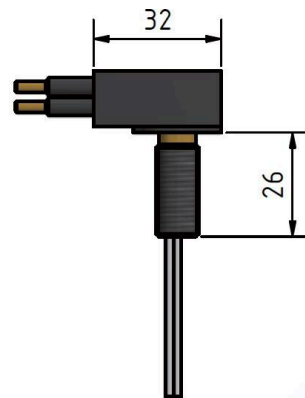
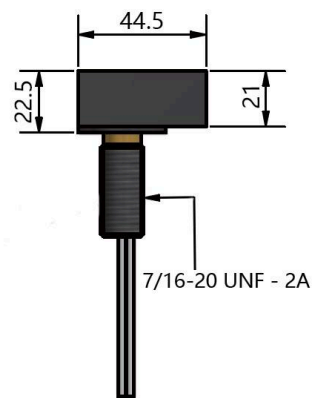
Low Profile Series

Low Profile 7contacts



Low Profile Series

Low Profile 9contacts



Metal Shell Series



Application

- 1 Remotely Operated Vehicle (ROV) and Autonomous Underwater Vehicle (AUV) systems
 - 2 Underwater video, camera and lighting systems
 - 3 Diving equipment and systems
 - 4 Sonar systems
 - 5 Oil rig, offshore oil and gas, and renewable energy systems applications
- Oceanographic systems and equipment

Customized Solutions

- 1 Customers can specify the specification, material and reserved length of supporting wires and cables
- 2 Customers specified main material of the underwater connector
- 3 Make systematic test plan for different application environment

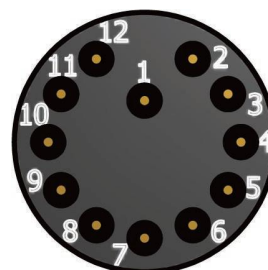
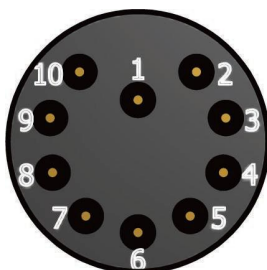
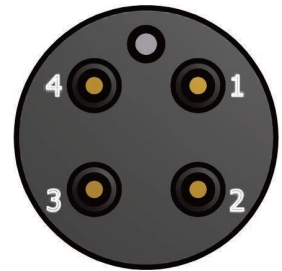
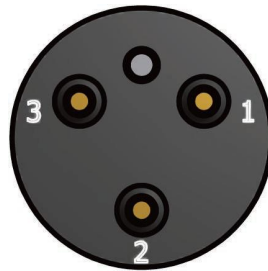
Connector specifications and property

- | | | | |
|-------------------------|------------|----------------------|--------|
| 1 Voltage rating | 600V DC/AC | | |
| 2 Current rating | 10A | | |
| 3 Insulation resistance | >200MΩ | 4 Contact resistance | <0.01Ω |

Connector material specification

- | | |
|---------------------|-------------------------|
| 1 Connector housing | SUS316L stainless steel |
| | Titanium |
| 2 Pin | Gold-plated brass |

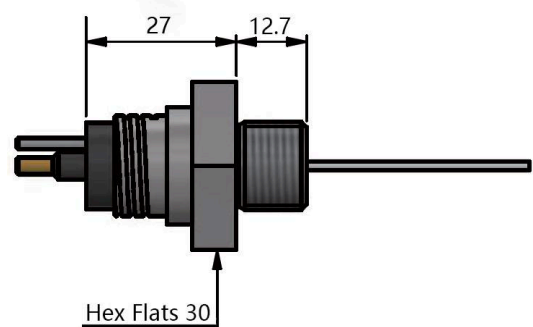
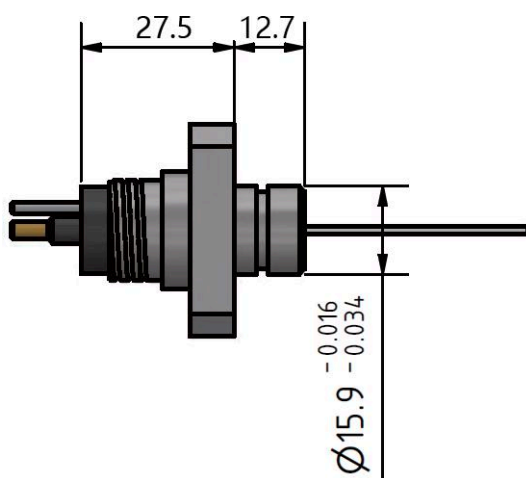
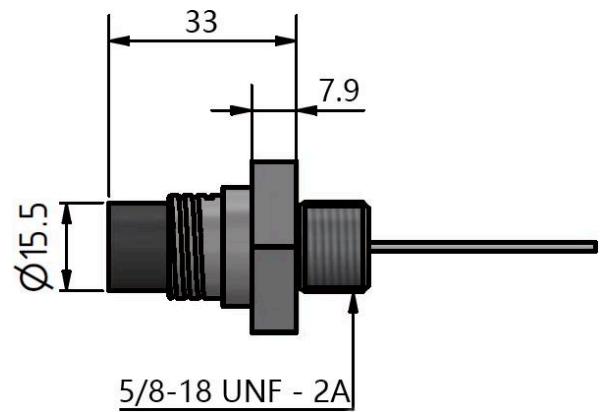
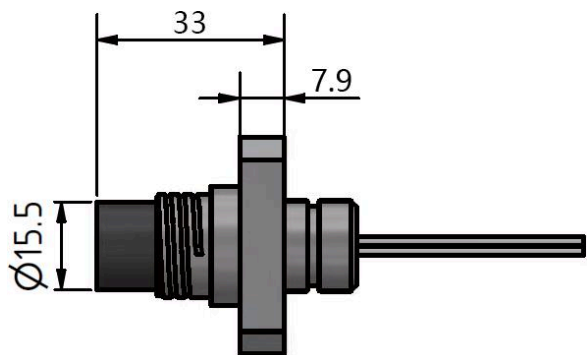
Metal Shell Series



Note: Metal Shell Series has 2 contacts, 3 contacts, 4 contacts, 5 contacts, 6 contacts, 8 contacts, 10 contacts, 12 contacts models.

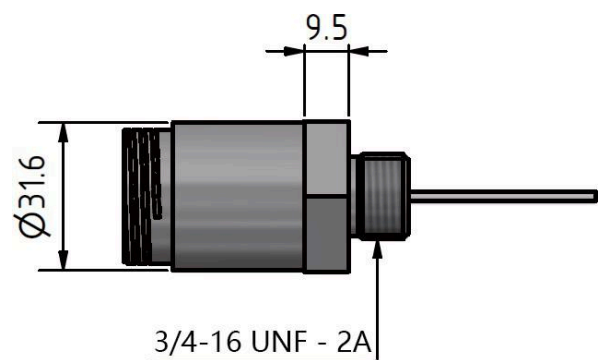
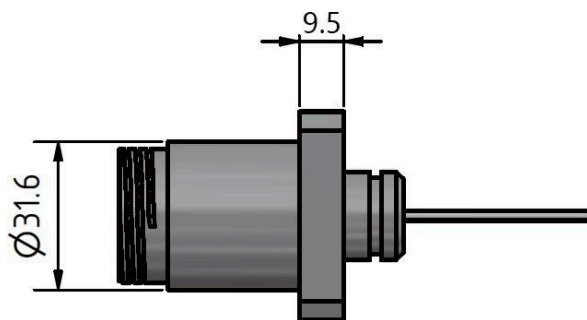
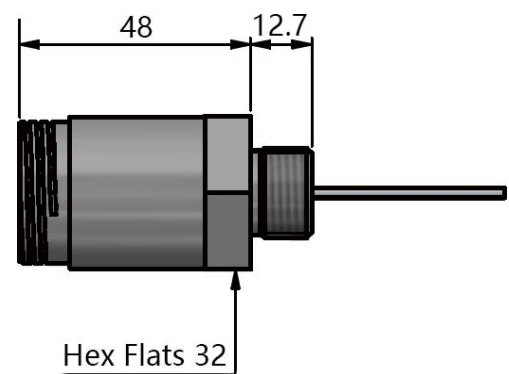
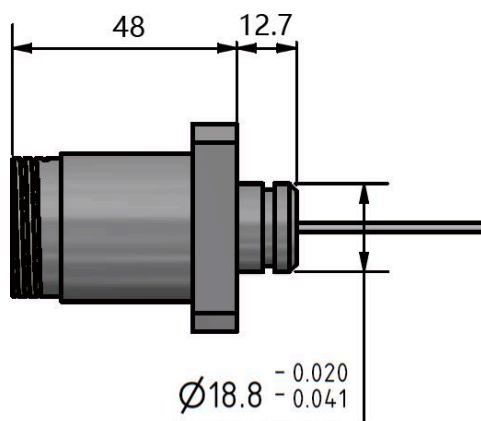
Metal Shell Series

MetalShell15002,3,4,5,6and10 contacts



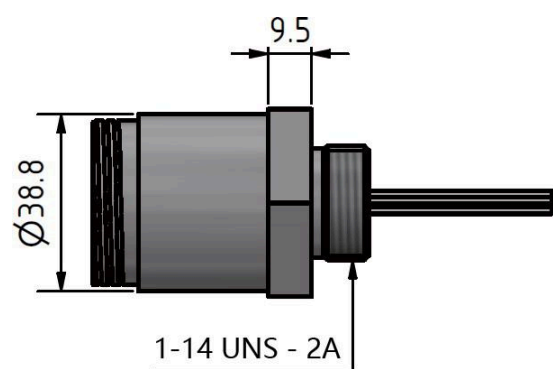
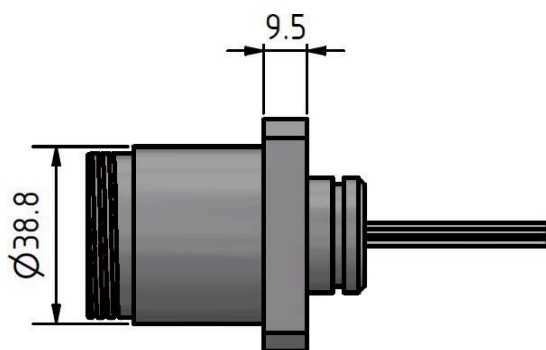
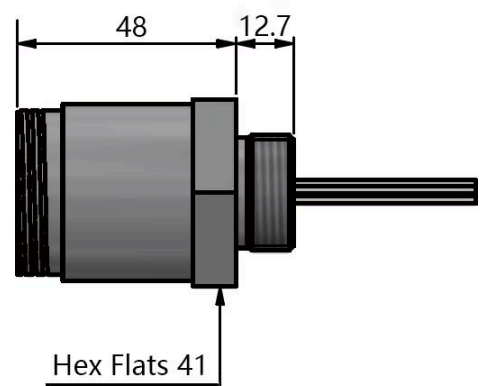
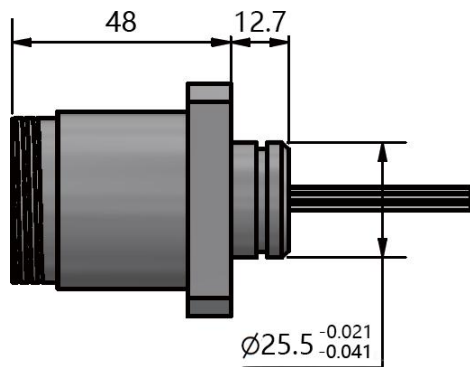
Metal Shell Series

MetalShell20002,3,4,10and 12 contacts



Metal Shell Series

MetalShell24006,8and 10 contacts



Power Series



Application

- 1 Remotely Operated Vehicle (ROV) and Autonomous Underwater Vehicle (AUV) systems
- 2 Underwater video, camera and lighting systems
- 3 Diving equipment and systems
- 4 Sonar systems
- 5 Oil rig, offshore oil and gas, and renewable energy systems applications
- 6 Oceanographic systems and equipment

Customized Solutions

- 1 Customers can specify the specification, material and reserved length of supporting wires and cables
- 2 Customers specified main material of the underwater connector
- 3 Make systematic test plan for different application environment

Connector specifications and property

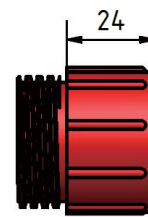
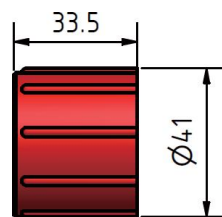
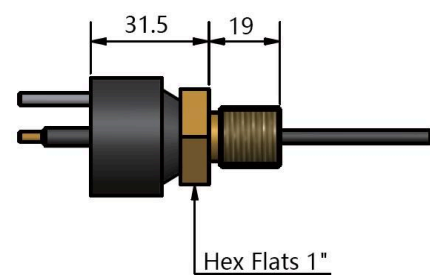
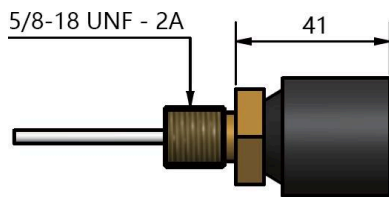
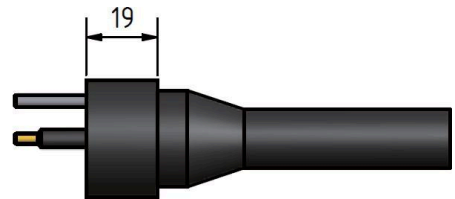
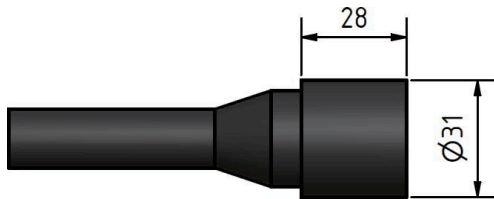
- | | | | |
|-------------------------|------------|----------------------|--------|
| 1 Voltage rating | 800V DC/AC | | |
| 2 Current rating | 25A | | |
| 3 Insulation resistance | >200MΩ | 4 Contact resistance | <0.01Ω |

Connector material specification

- | | |
|------------------|-------------------|
| 1 Connector body | Neoprene |
| 2 Pin | Gold-plated brass |

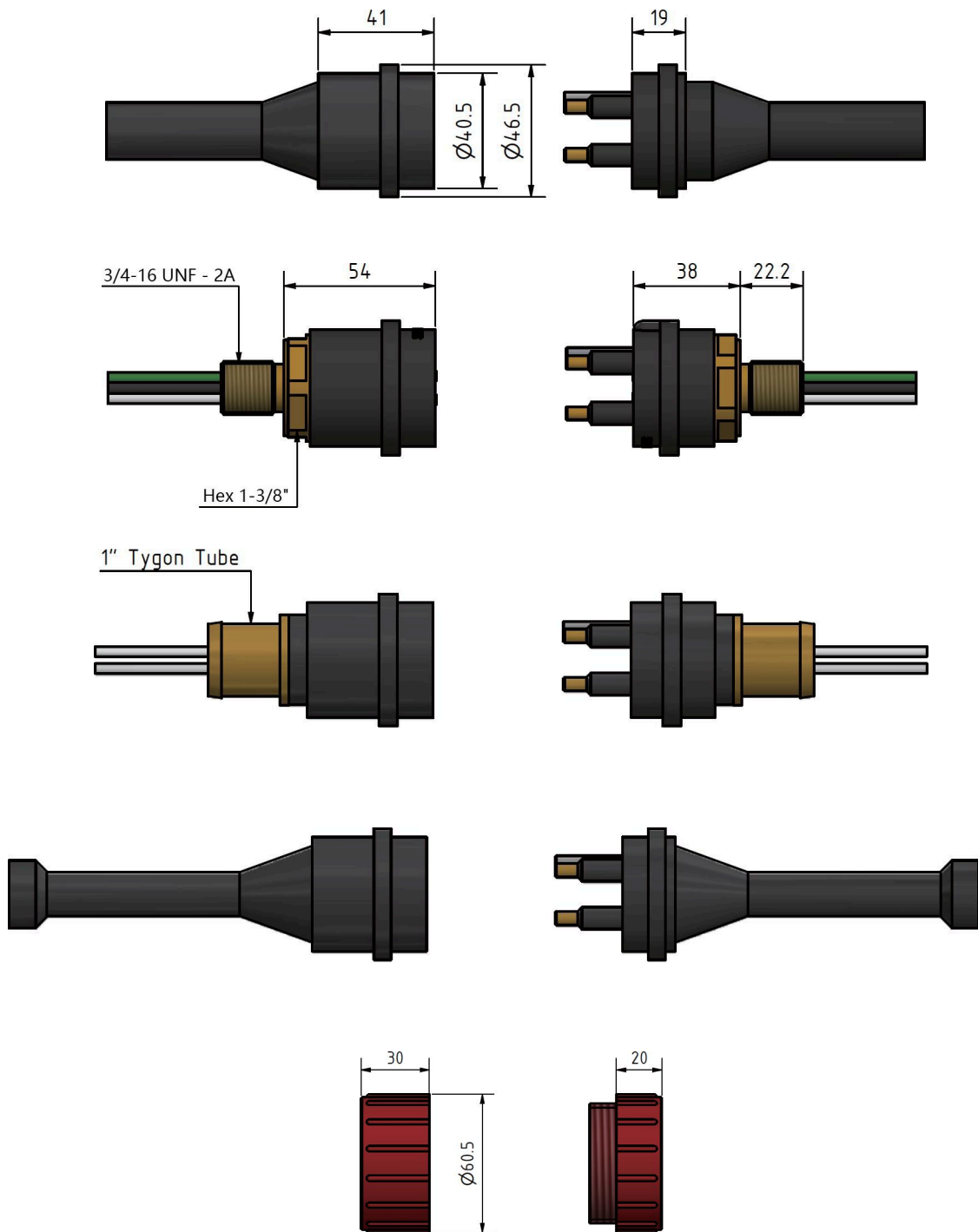
Power Series

Power Battery 2, 3 and 4 contacts



Power Series

High Power 4 contacts



Ethernet Series



Application

- 1 Remotely Operated Vehicle (ROV) and Autonomous Underwater Vehicle (AUV) systems
- 2 Underwater video, camera and lighting systems
- 3 Diving equipment and systems
- 4 Sonar systems
- 5 Oil rig, offshore oil and gas, and renewable energy systems applications
- 6 Oceanographic systems and equipment

Customized Solutions

- 1 Customers can specify the specification, material and reserved length of supporting wires and cables
- 2 Customers specified main material of the underwater connector
- 3 Make systematic test plan for different application environment

Connector specifications and property

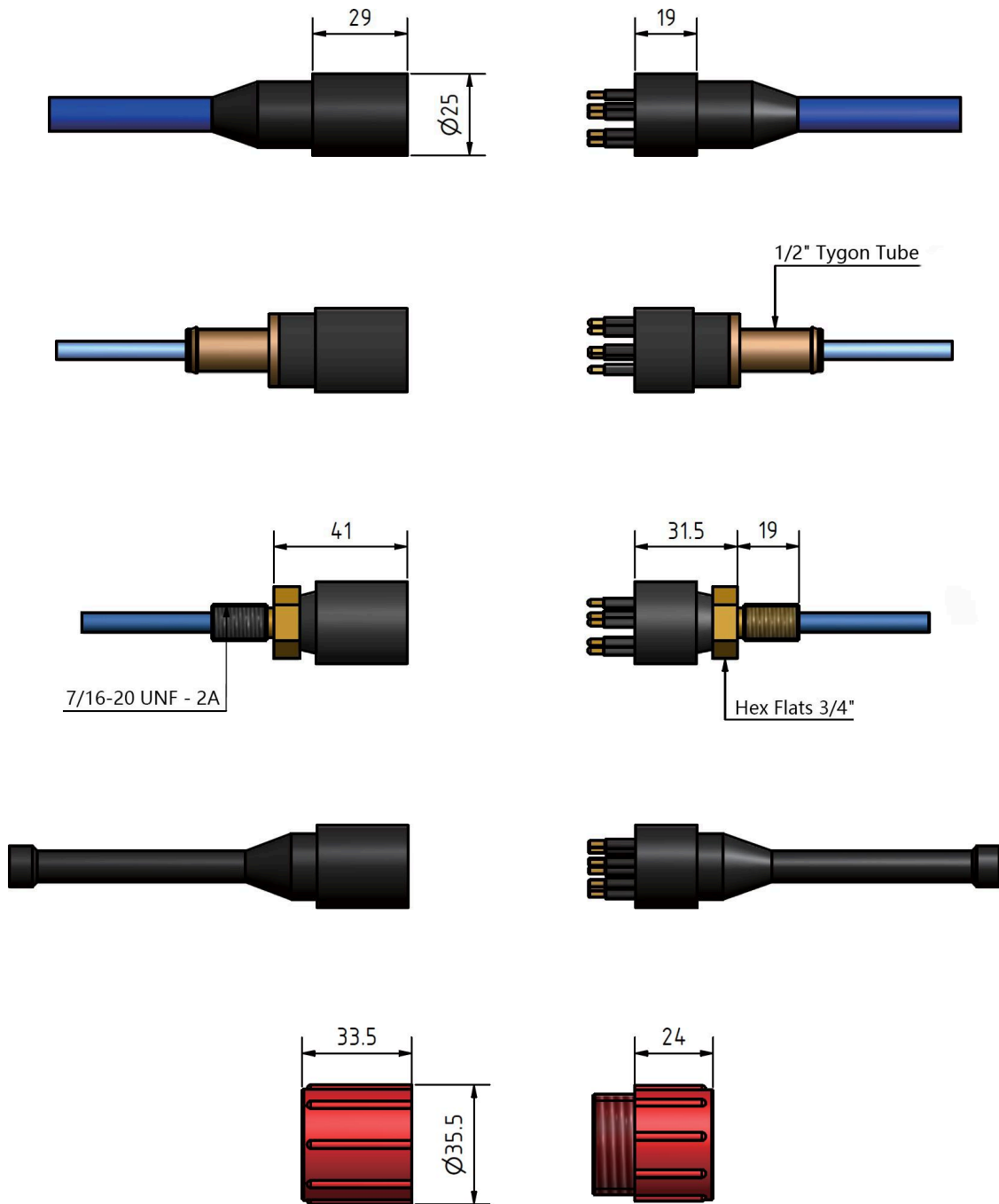
- | | | | |
|-------------------------|------------|----------------------|--------|
| 1 Voltage rating | 600V DC/AC | | |
| 2 Current rating | 10A | | |
| 3 Insulation resistance | >200MΩ | 4 Contact resistance | <0.01Ω |

Connector material specification

- | | |
|---------------------|-------------------------------------|
| 1 Connector housing | SUS316L stainless steel
Titanium |
| 2 Pin | Gold-plated brass |

Ethernet Series

Ethernet Circular 8contacts



Coax Series



Application

- 1 Remotely Operated Vehicle (ROV) and Autonomous Underwater Vehicle(AUV) systems
- 2 Underwater video, camera and lighting systems
- 3 Diving equipment and systems
- 4 Sonar systems
- 5 Oil rig, offshore oil and gas, and renewable energy systems applications
- 6 Oceanographic systems and equipment

Customized Solutions

- 1 Customers can specify the specification, material and reserved length of supporting wires and cables
- 2 Customers specified main material of the underwater connector
- 3 Make systematic test plan for different application environment

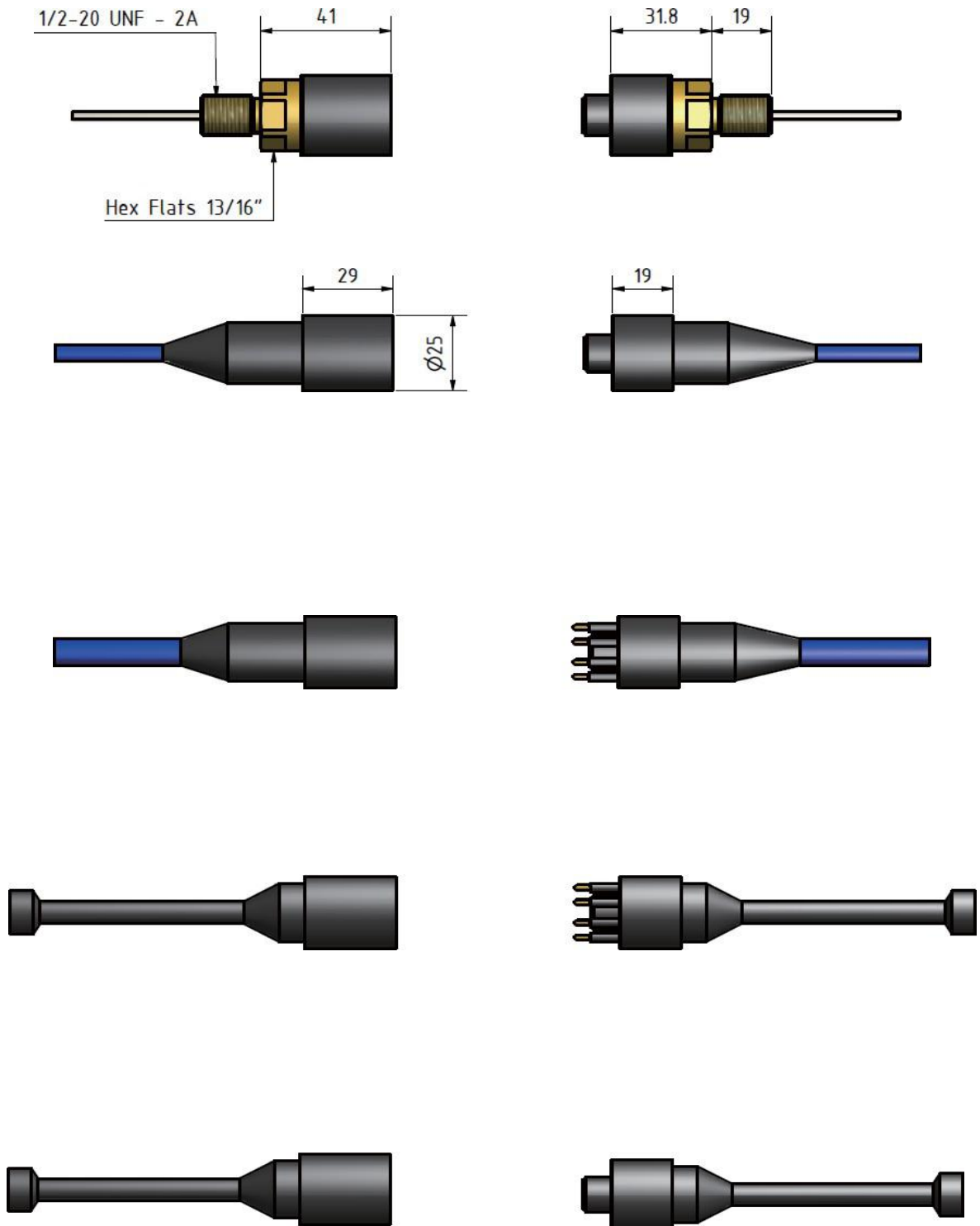
Connector specifications and property

- 1 Voltage rating 600V DC/AC
- 2 Current rating 10A
- 3 Insulation resistance $>200\text{M}\Omega$
- 4 Contact resistance $<0.01\Omega$
- 4 Characteristic impedance $50\Omega/75\Omega$

Connector material specification

- 1 Connector body Neoprene
- 2 Pin Gold-plated brass

Coax Series



Photoelectric Series



Application

- 1 Remotely Operated Vehicle (ROV) and Autonomous Underwater Vehicle (AUV) systems
- 2 Underwater video, camera and lighting systems
- 3 Diving equipment and systems
- 4 Sonar systems
- 5 Oil rig, offshore oil and gas, and renewable energy systems applications
- 6 Oceanographic systems and equipment

Customized Solutions

- 1 Customers can specify the specification, material and reserved length of supporting wires and cables
- 2 Customers specified main material of the underwater connector
- 3 Make systematic test plan for different application environment

Connector specifications and property

- 1 Voltage rating 600V DC/AC
- 2 Current rating 10A
- 3 Insulation resistance $>200\text{M}\Omega$
- 4 Contact resistance $<0.01\Omega$
- 5 Insertion loss $<0.1\text{dB}$

Connector material specification

- 1 Connector housing SUS316L stainless steel
- 2 Pin Gold-plated brass



Pure Pro Technology Co.,Ltd

Address: Room 613 of No. 4 building, No. 3 of Jinguan North 2nd Street,
Nanfaxin, Shunyi District, Beijing, China 101300

Website: www.unircable.com

Mail: info@unircable.com

Tel: +86 10 61428270

Fax: +86 10 61429157